

TRUXTA

Compact Articulated Mini Dumper

Battery Powered Mini Dumper - payload 400/500kg



EB400 BENDie - 400kg (880lbs) payload, articulated
EB500 BENDie - 500kg (1100lbs) payload, articulated
24V Battery Powered Mini Dumper

Tufftruk Limited introduce the **new Electric BENDie mini dumper** - a battery powered mini dumper that provides maximum versatility and light touch operation.

Available as a EB400 and EB500, for use indoor or outdoor the compact TRUXTA fits through typical doorways (2ft 6" EB400 or 3ft EB500). TRUXTA BENDie mini dumper offers excellent load capacity and **productivity**.

Gets to Work Everywhere

The new Electric BENDie 4x4 mini dumper provides access even in the tightest corners. The TRUXTA 4x4 is really compact and gets into places tracked, lift and steer dumpers cannot.

Operators get a quiet environmentally friendly option for use anywhere - no emissions and ultra quiet for noise sensitive environments.

Skip Options: (both fully recyclable)

- Conventional high strength STREX™ steel
- New heavy-duty Poly-skip

Skip Tipping Options:

- Non powered, Manual 2-stage self-tipping
- Powered controlled tipping with Powertip or Powertip plus



Built for the Green Environment



Battery Powered Mini Dumper



- **8 HOURS RUNTIME**
- OVERNIGHT SMART CHARGE
- DUAL VOLTAGE (110V/230V)



- **4X4 AND EASY TO MANOEUVRE**
- EASY TO OPERATE IN TIGHT SPACES
- REGISTERED DESIGNS



- **BUILT-IN MOTOR BRAKE SYSTEM**
- SAFE PARKING BRAKE
- REGENERATIVE BRAKING SYSTEM

Packed full of key features



On-board **Smart Battery Charger** with power cable storage (110V / 230V). The TRUXTA electric has a **regenerative-braking system** to help the slow down when stopping; this generates power into battery pack, to increase efficiency and range. **Now with electronic brake over-ride.**

The fail-safe dead-man brake system gives the TRUXTA operator the safest possible operation.

New **multi-position handle** for comfortable all day operating.

Heavy duty drive axles with a simplified drive line for easy maintenance.

Centre lifting point with locking-pivot for safe lifting and ease of transporting.



TRUXTA^{4x4} Attachments



Easy fit attachments for a variety of applications.

- TRUXTA Flatbed (with log poles as an option)
- TRUXTA Towball offers different positions for different sizes of trailer
- TRUXTA Snow Plough offers an easy to use winter utilities attachment
- TRUXTA Power-Tip with a discharge height of 252mm
- TRUXTA Power-Tip-Plus discharge height of 589mm
- TRUXTA Skip Extensions for lightweight materials
- TRUXTA Skip-Tip control for none powered skip-tipping.

TRUXTA^{4x4}



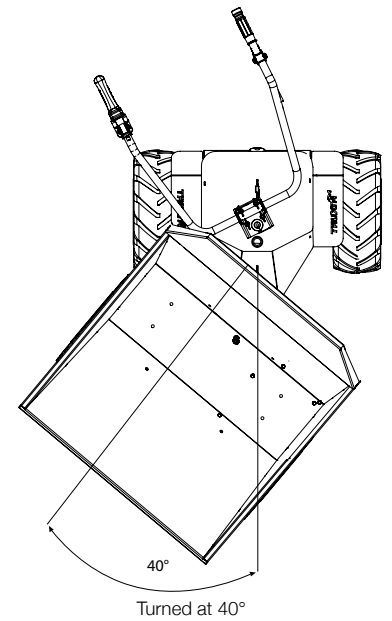
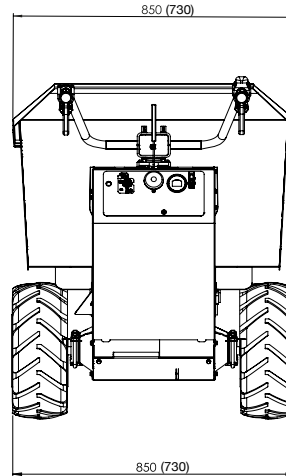
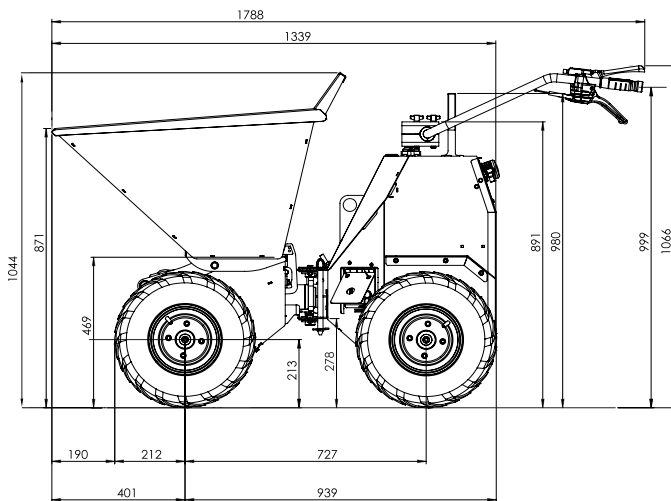
Articulated for Access

A **BENDie** mini dumper's articulated chassis means the TRUXTA handles corners with minimum effort - just steer around bends and corners - no need to lift or reposition.

The **Squeeze & Go Controls** (no mechanical gearboxes) makes for the easiest use for any operator, weak or strong.



TRUXTA



Dimensions EB500 BENDie (EB400 BENDie)

Specifications

Model	Electric EB400	
Motor/Power (kW)	DC Motor 2x750W/24v	
Power Type	2 x 12v AGM Batteries	
Max Payload	400kg/880lbs / 9ft ³ / 0.25m ³	
Unladen Weight	kg	230
	lbs	507
Working Gradient	25°	
Drive & Controls	24v Transaxle	
Brake System	Electrically operated brake system with fail-safe dead-man handle	
Standard Fitment Tyres	Flotation with option for turf tyres	
Forward Travel	0-3.5 mph / 5.63 kph	
Reverse Travel	0-1.5 mph 2.42 kph	
Noise Level (db)	< 76	
Hand Arm Vibration	2.5 m/s ²	

Model	Electric EB500	
Motor/Power (kW)	DC Motor 2x750W/24v	
Power Type	2 x 12v AGM Batteries	
Max Payload	500kg/1100lbs / 12ft ³ / 0.35m ³	
Unladen Weight	kg	240
	lbs	529
Working Gradient	25°	
Drive & Controls	24v Transaxle	
Brake System	Electrically operated brake system with fail-safe dead-man handle	
Standard Fitment Tyres	Flotation with option for turf tyres	
Forward Travel	0-3.5 mph / 5.63 kph	
Reverse Travel	0-1.5 mph 2.42 kph	
Noise Level	< 76	
Hand Arm Vibration	2.5 m/s ²	

A 12 month warranty is applicable on all Tufftruk machines.

We reserve the right to change specification without prior notice.

06/2021

For more information
call us direct, or contact:



Tufftruk Limited
Unit 5, Prince Street Business Park,
Prince Street, Leek,
Staffordshire ST13 6DB
T: +(44) 01298 84687
E: sales@tufftruk.co.uk
www.tufftruk.com