



# Ready 4

Submersible Pump

## Contractor Dewatering Pumps (Slim Line)

Capacity up to 65 GPM, Heads up to 35 ft.

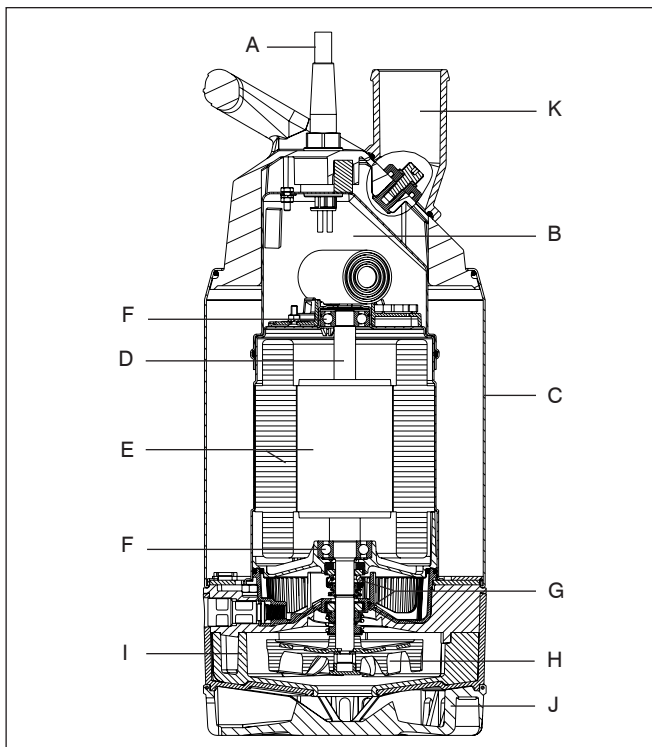



### Specifications

- A Cable.** Standard 50 ft. of AWG 16 SOW cord with plug. Easy to replace without removing the pump top.
  - B Junction Chamber.** The pump top is made of non-corrosive, thermoplastic material (outer cover) and stainless steel (inner). Cable entry incorporates a molded grommet controlled compression sealing. The junction chamber incorporates the motor run/start capacitor and the Klixon 'auto-cut' type thermal/current sensitive motor protector.
  - C Pump Housing.** High strength, lightweight, non-corrosive stainless steel ANSI 304 outer casing. Static seals are leakproof Nitrile rubber O-rings in precision machined grooves with controlled compression.
  - D Shaft.** Stainless Steel ANSI 420.
  - E Motor.** Air-filled, NEMA Design B with Class F (155°C) insulation; two-pole, 3360 rpm. Shrink-fit to the motor housing. Allows up to 15 starts per hour.
  - F Bearings.** Upper and lower – single row ball bearing.
  - G Shaft Seals.** Independent double-face seals running in environmentally friendly, FDA approved (Standard #172.878) lubricant. Upper seal: carbon/ceramic. Lower seal: silicon carbide/silicon carbide. Oil specs: 0.35 pints (0.17l).
  - H Impeller.** Multivane, open type. Material: Polyurethane.
  - I Diffuser.** Nitrile Rubber.
  - J Strainer.** Hard EPDM rubber. 96 holes 3/16" x 7/16".
  - K Discharge Connection.** 2" NPSM can be rotated from a vertical to a horizontal position.
- Fasteners.** Stainless steel ANSI 304.

### Applications:

Ideal contractor, utilities and firemen pump. Removes water quickly from ditches, manholes, etc. Can pump corrosive liquids with 3-8 pH.



**Approval:** CSA approved to UL Standard #778. 

**Option** (not shown): Built-in level control, float switch type.

### Accessories:

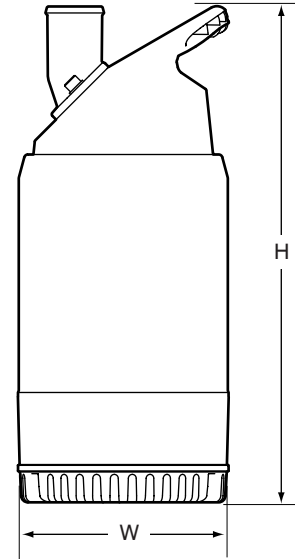
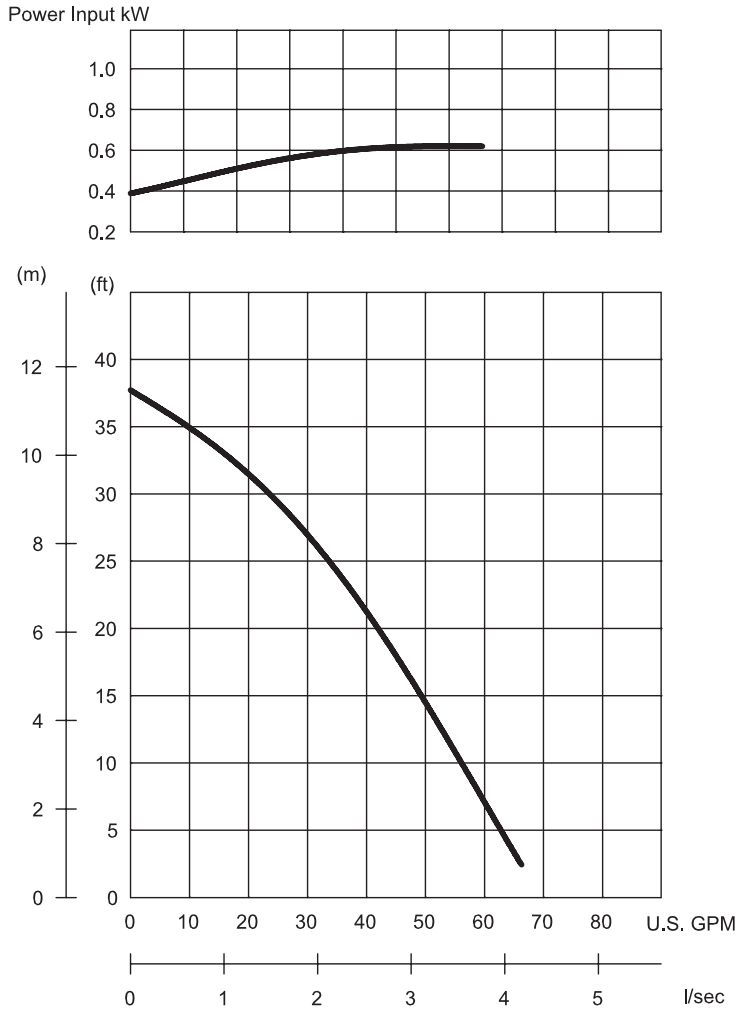
Low suction collar, allowing pumping down to floor level.

Flygt is a member of the following Associations:



# Ready 4 (BS-2004.211)

## Performance Data



### Dimensions

Discharge conn.	W inches	W mm	H inches	H mm	*Weight lbs.	kg
2" - 11-1/2 NPSM	7 <sup>1/4</sup>	185	15 <sup>3/4</sup>	400	27	12

\* including cable

VERSION	HP	PHASE	VOLTS	FLA	LRA	CABLE SIZE AWG
Ready 4	.6	1	115	5.5	16	16/3
	.6	1	230	2.9	7	16/3

ITT Flygt Corporation reserves the right to modify performance, specifications or design without notice.

ITT FLYGT CORPORATION, 35 Nutmeg Dr., P.O. Box 1004, Trumbull, CT 06611-0943. Tel. (203) 380-4700 Telefax (203) 380-4705  
 ITT Flygt Canada, 300 Labrosse Ave., Pointe Claire (Montreal) P.Q. H 9R-4V5, (514) 695-0100

Flygt

