

Model X20J PLUS

COMPACT CRAWLERS



MORE ECONOMIC

- Minimal emissions and noise pollution.

MORE PRODUCTIVE

- Reduce your set-up time with auto-levelling outriggers.
- Unrestricted 230kgs basket capacity.

MORE ACCESS

- Equipped with track drive for easy manoeuvrability in sensitive environments.

SMART DESIGN

- Low weight for ease of transportation and operation in weight restricted areas.



Standard Features

- 0.69 m x 1.34 m Aluminium 2 person platform
- Slide bar rear entry
- Footswitch
- Full proportional control
- Articulating jib
- Powered platform rotator (124°)
- Remote Control (via cable to platform)
- Full Remote Control of drive and stabilization
- Multi-lingual LCD display on platform console
- Platform console position sensor and lock
- Envelope management load sensing system
- Platform designed for ease of removal/changeover
- AC Cable to platform
- 6,5 mm air line to platform
- Engine protection
- Rubber Outrigger Pads
- Cylinder Rod Protection on Outriggers
- Automatic cut-out when out of level
- Powered track extensions/retraction
- 360° non-continuous turntable rotation
- Turntable alignment sensor and gauge
- Three emergency descent systems
- Electro-hydraulic controls
- Full pressure hydraulic controls
- 2nd (high) Drive speed
- Lifting/Tie down points
- Forklift pockets

Standard Specifications

- | | |
|-------------------------------|---|
| Power Source | |
| • AC electric motor | 2.2 KW 50Hz 230V |
| • Diesel engine | Perkins 402D05 - 10.2 kW (14 HP) |
| • Hydraulic oil tank capacity | 40 L |
| Tracks | |
| • Standard | 1.46 m x 0.2 m x 0.35 m
Low Profile Non Mark Rubber Tracks |

Accessories & Options


- 110 V, 50 Hz single phase power system
- 100 Ah/ 72 V Electric engine with Lithium battery package incl. battery charger ¹
- 1.46 m x 0.20 m x 0.35 m Low Profile Black Rubber Tracks
- 0.60 m x 0.78 m Aluminium single person platform
- Special paint colour

¹ Replaces both combustion and electric engines

Model X20J PLUS

COMPACT CRAWLERS

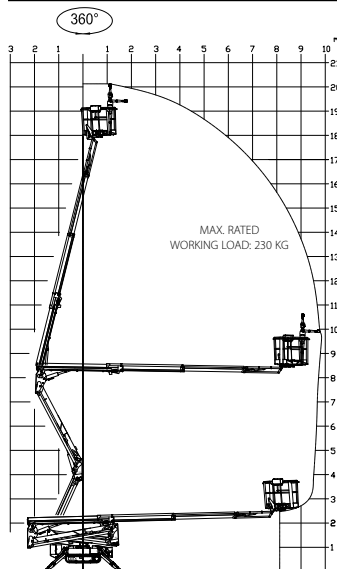
Performance

• Working Height	20.05 m
• Horizontal Working Outreach (Std Platform)	9.70 m
• Platform capacity	 /230 kg
• Up & Over Height w 230 kg	8.2 m
• Swing (non continuous)	360°
• Jib - overall length	1.68 m
• Jib - range of articulation (+/-)	89° (+0/-89°)
• Platform size (standard 2 persons)	0.69 m x 1.34 m
• Platform size (narrow one person)	0.60 m x 0.78 m
• Stowed width (with std. 2P platform)	1.34 m
• Dimensions:	
A. Stowed width (without platform)	0.80 m
B. Stowed height (on tracks)	2.00 m
C ¹ . Stowed length (on tracks)	5.00 m
C ² . Stowed length (on tracks) without Basket	4.40 m
D. Outrigger footprint	2.92 m x 2.93 m
• Machine weight (with standard platform) ¹	2,840 kg ¹
• Gradeability	28.7%
• Maximum operating slope	15°
• Max. Approach / Depart angles	Front 20° / Rear 21°
• Width of Undercarriage (Retracted/Extended)	0.79 m / 1.09 m
• Max. ground bearing pressure (on outriggers)	3.10 kg/cm ²
• Max. drive speed (single speed m/c) Petrol	1.1 km/h
• Basket rotation	124° (+/-62°)

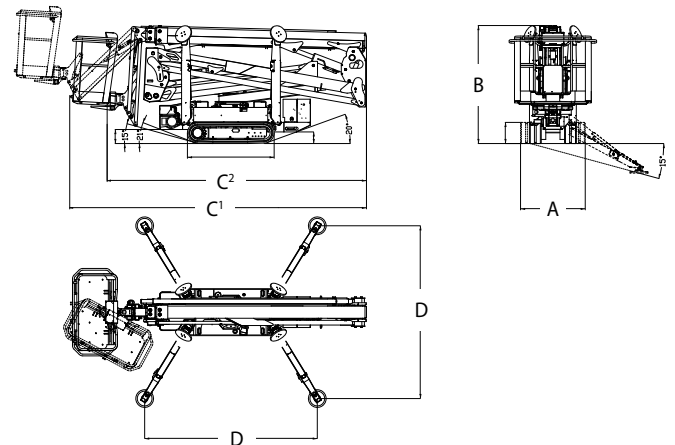
¹ Certain options or country standards may increase weight and/or dimensions.



Reach Diagram



Dimensions



IMPORTANT

JLG is continually researching and developing products and reserves the right to make modifications without prior notice. All data in this document is indicative. Certain options or country standards will increase weight. Specifications may change to meet country standards or with the addition of optional equipment.

Due to continuous product improvements, JLG Industries reserves the right to make specification and/or equipment changes without prior notification.

JLG®

JLG EMEA BV

Polaris Avenue 63
2132 JH Hoofddorp
The Netherlands
Phone: +31 (0)23 565 5665
www.jlg.com

An Oshkosh Corporation Company